



HR-1310

## FEATURES

- Electronic, Microprocessor based
- High polymer resistive sensor
- Selectable humidification / dehumidification output

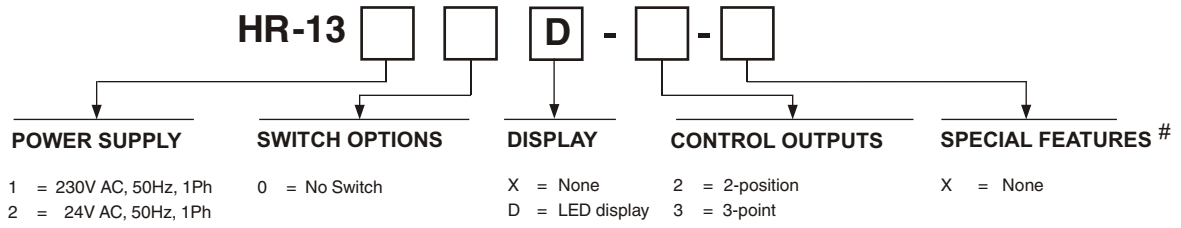
## BENEFITS

- High accuracy
- Fast response
- Long life

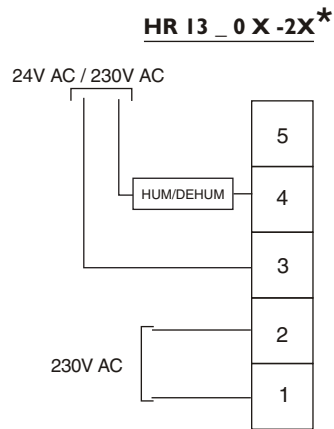
## TECHNICAL DATA

Setting Range	: 30% to 80% rh adjustable
Switching Differential	: 5% rh
Sensing Element	: High polymer resistive
Accuracy	: $\pm 5\%$ rh
Operating Voltage	: 230V AC $\pm 10\%$ , 50/60 Hz
Output rating at 24/240V AC	: 3 Amps
Terminals	: Accept Max. 2.5sq. mm cable
Permissible ambient Temp.	: $-20^{\circ}$ to $+40^{\circ}$ C
Protection	: IP 30

### MODEL DESIGNATION



### WIRING DIAGRAMS



NOTES : \*applicable to models (E) with external sensor