



WALL MOUNTING



IMMERSION TYPE



DUCT MOUNTING



BULB TYPE

FEATURES

- Used for measuring temperature and/or relative humidity in remote or difficult to access locations
- Sensors give suitably amplified signals for transmission over short distances
- Mounting options
 - Wall mounting
 - Duct mounting
 - Immersion (for temp. only)
 - Bulb type
- Wide range of measurements
- High accuracy

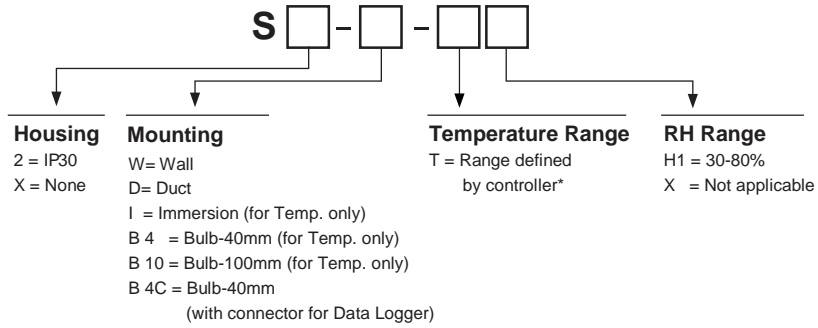
BENEFITS

- Long life solid state sensing
- High reliability
- Fast response
- Low hysteresis
- Low offset and drift
- Good reproducibility

TECHNICAL DATA

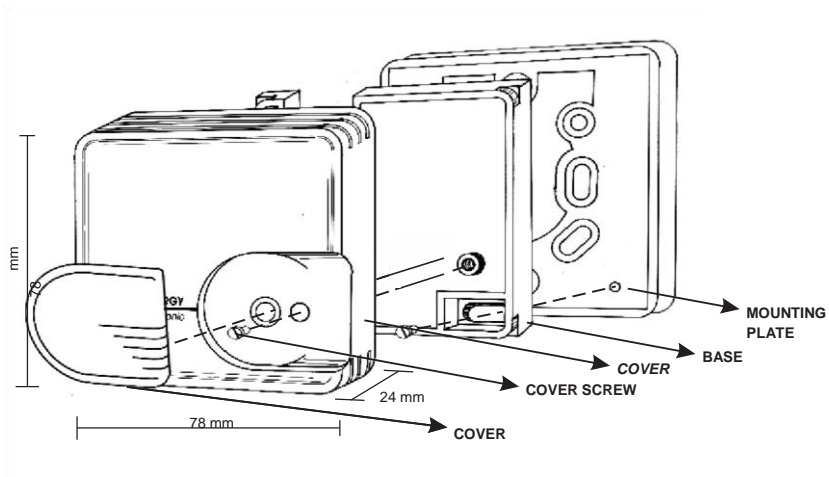
Sensing element	Temp. : NTC Thermistor
	RH : High Polymer Type
Measuring range	Temp. : Working range defined by controller
	RH : 30%-80%
Accuracy	Temp. : $\pm 1^\circ\text{C}$
	RH : $\pm 5\%$
Operating voltage	: 12 Vdc
Terminals	: Max. 2.5 sq. mm cable
Permissible ambient temp.	: (-)20 -(+)40°C
Protection	: IP 30

MODEL DESIGNATIONS



* Possible ranges (-)30°-70°C, 0°-50°C, 15°-35°C

CONSTRUCTION



WIRING DIAGRAMS

