



WALL MOUNTING



IMMERSION TYPE



DUCT MOUNTING



IP65

FEATURES

- Used for measuring temperature and/or relative humidity in remote or difficult to access locations
- Transmitters give suitably amplified and linearized to 0-10 VDC or 0(4)-20 mA signals for transmission over long distances
- Mounting Options
 - Wall mounting
 - Duct mounting
 - Immersion (for temp only)
- Wide range of measurements
- High accuracy

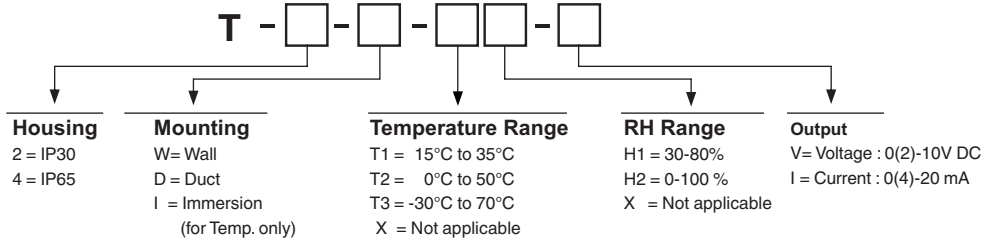
BENEFITS

- Long life solid state sensing
- High reliability
- Fast response
- Low hysteresis
- Low offset and drift
- Good reproducibility

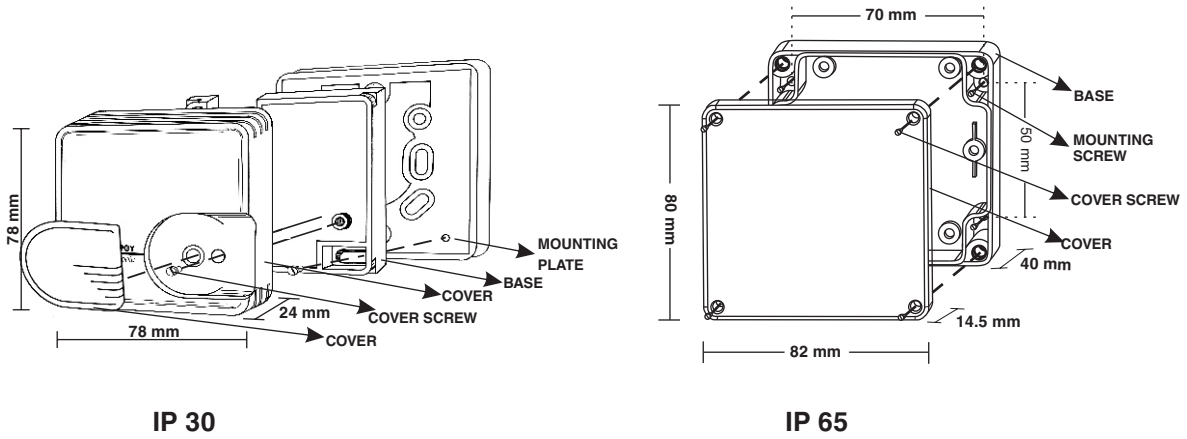
TECHNICAL DATA

Sensing element	Temp	:	NTC Thermistor/Silicon
	RH	:	High polymer type/Capacitive
Measuring range	Temp	:	Details overleaf
	RH	:	Details overleaf
Accuracy	Temp	:	± 1° C or ± 0.5° C
	RH	:	± 5% or ± 2%
Operating voltage		:	24 V AC/DC
Output		:	Details overleaf
Terminals		:	Max. 2.5 sq. mm cable
Permissible ambient temp.		:	-20 to + 40°C
Protection		:	IP 30/ IP 65

MODEL DESIGNATIONS



CONSTRUCTION



IP 30

IP 65

WIRING DIAGRAMS

